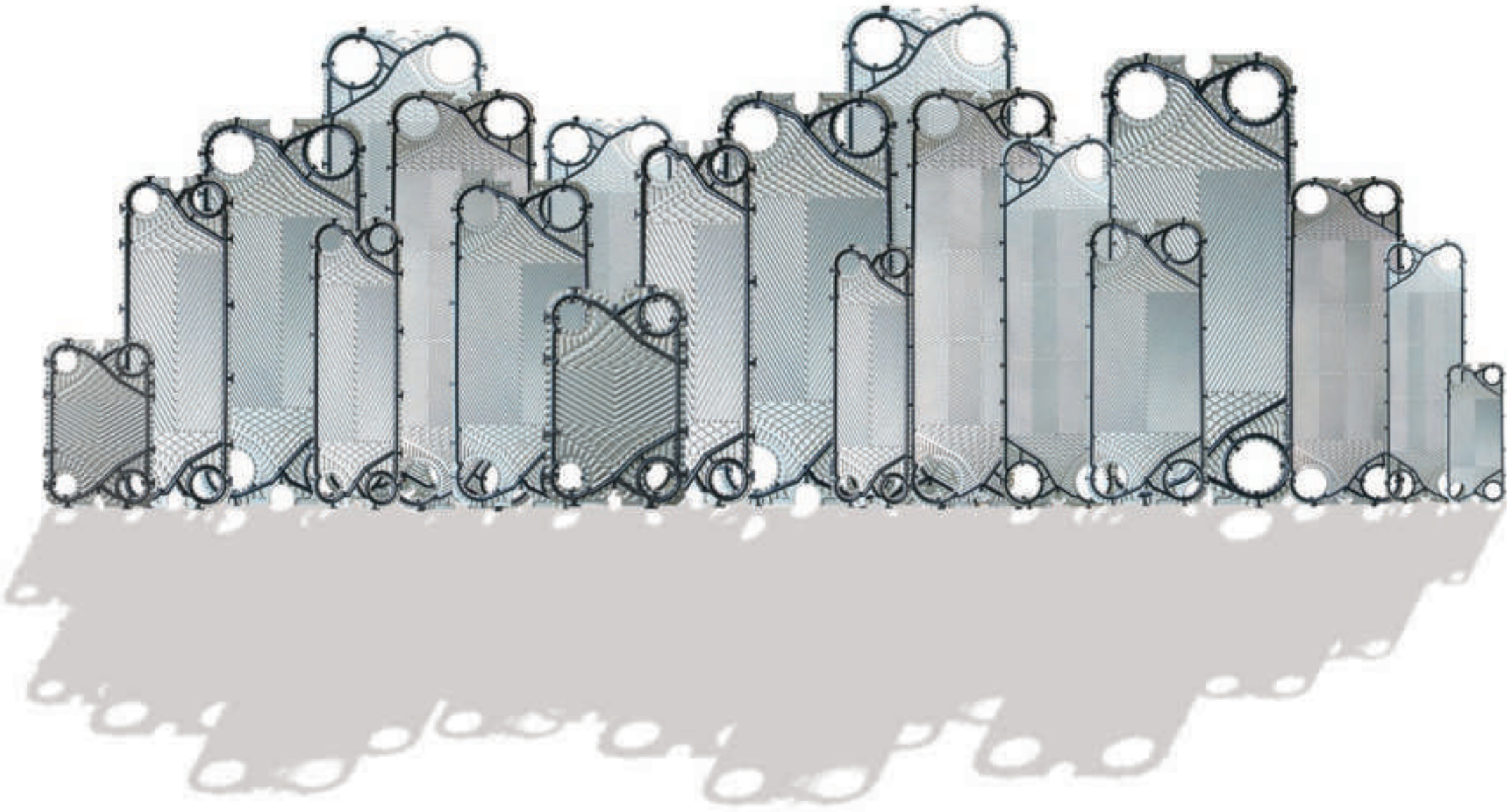


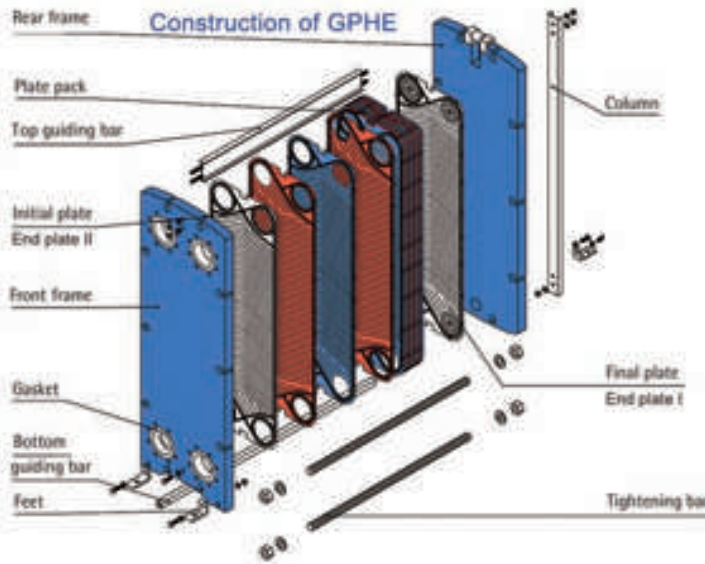
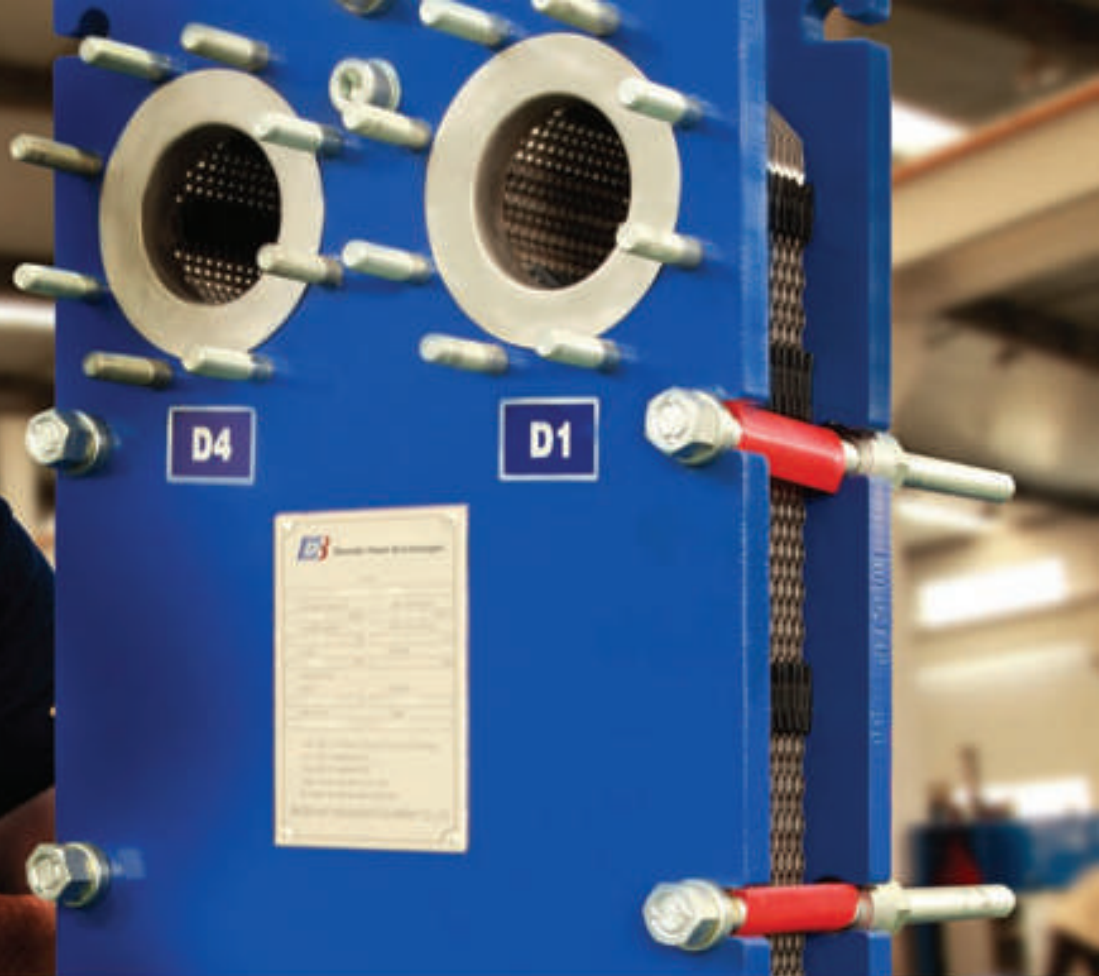


-Brazed plate heat exchanger

- Gasket plate heat exchanger

Gasket Plate Heat Exchanger





Connections available:



Specification of Gasket PHE	
Frame Material:	Carbon Steel / Stainless
Plate Material:	304/ 316L Stainless, Ti, SMO, Hastelloy
Thickness:	0.5 / 0.6 mm
Gasket Material:	NBR, EPDM, Viton
Max Pressure:	10 or 16 bar

Advantages of the Baode Gasket Plate Heat Exchanger

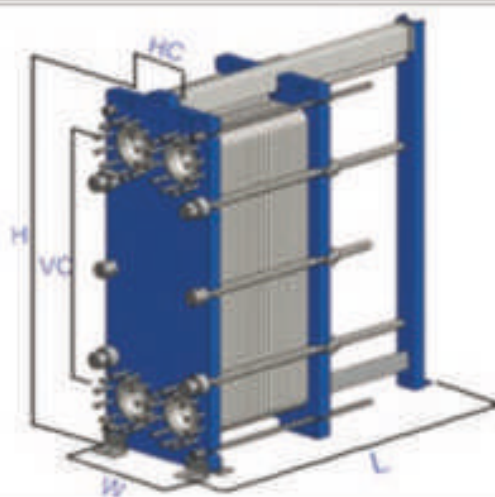
- Less space & more efficient**
 Gasket plate heat exchanger is compact size! With the compact designs they just need 22–50% less space in the system than a comparable shell & tube heat exchanger. so they require up to 75% less cooling media, you just need a smaller pumps that will consume less energy.
- Easy maintenance**
 When cleaning is needed, gasket plate heat exchanger can easily be opened, giving access to the plate surfaces, use pressure water or certain liquid to clean.

Gasket Plate Heat Exchanger data sheet

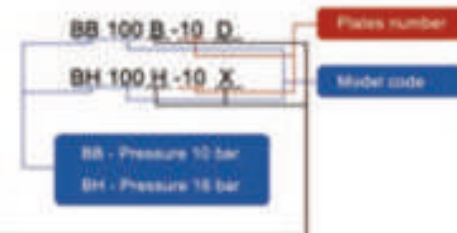
Model	BH30	BH60B / BH60H		LB100B	SH60H	SH200B
Height, H [mm]	480	920	940	1885	704	1405
Width, W [mm]	180	320	330	480	400	740
Min standard length, L [mm]	400	500	500	850	530	900
Max standard length, L [mm]	650	1500	1500	2350	1430	2700
Vertical port distance, VC [mm]	357	640	640	1338	380	698
Horizontal port distance, HC [mm]	60	140	140	225	203	363
Max temperature [°C]	180	180	180	180	180	180
Max pressure [barg]	18	10	18	10	18	10/18
Flange size	Pipe 1 1/4"	DN50/2"	DN50/2"	DN100/4"	DN65/2"	DN200/8"
Max. flow rate [kg/s]	4	16		50	20	180

Model	BH100B / BH100H		BH150B / BH150H		BH200H	BH250
Height, H [mm]	1084	1084	1885	1885	2150	2095
Width, W [mm]	470	470	610	650	750	920
Min standard length, L [mm]	700	700	1150	1150	1250	1550
Max standard length, L [mm]	2300	2300	2050	3250	3350	3350
Vertical port distance, VC [mm]	719	719	1294	1294	1478	1938
Horizontal port distance, HC [mm]	225	225	298	298	353	438
Max temperature [°C]	180	180	180	180	180	180
Max pressure [barg]	10	18	10	18	10/18	10/18
Flange size	DN100/4"	DN100/4"	DN150/6"	DN150/6"	DN200/8"	DN200/DN250/8"/10"
Max. flow rate [kg/s]	50		80		225	250

Model	BH300H
Height, H [mm]	2920
Width, W [mm]	1190
Min standard length, L [mm]	1650
Max standard length, L [mm]	5200
Vertical port distance, VC [mm]	1842
Horizontal port distance, HC [mm]	598
Max temperature	180
Max pressure [barg]	10/18
Flange size	DN300/DN350/12"/14"
Max. flow rate [kg/s]	497



Model code explanation



Material Selection Form



Water/Water

The largest part of our production of heat exchangers is used for water/water duties, i.e. water heated or cooled with water. This can be achieved by different methods:

Water must be cooled:

Here, water with a lower temperature is used, for example from a cooling tower, lake, river or sea.

Water must be heated:

Here, water with a higher temperature is used, for example district heating, boiler or hot process water.

Some typical uses of plate heat exchangers

- District heating
- Tap water heating
- Swimming pool heating
- Heat recovery (engine cooling)
- Temperature control of fish farms
- Steel industry – furnace cooling
- Power industry – central cooling
- Chemical – industry – process cooling

Material Select form				
Chloride Content	Max Temperature			
	80 °C	80 °C	100 °C	120 °C
10 ppm	304	304	304	316
25 ppm	304	304	316	316
50 ppm	316	316	316	Ti
80 ppm	316	316	316	Ti
150 ppm	316	Ti	Ti	Ti
300 ppm	Ti	Ti	Ti	Ti
> 300 ppm	Ti	Ti	Ti	Ti
Gasket Material	NBR			
	EPDM			

Water/Oil

In some industries, oil has to be cooled using water. There are below main oils:

- Mineral oil
- Synthetic oil
- Hydraulic oils
- Lubricating oils
- Motor oils
- Oils used within manufacturing industries

Some typical uses of plate heat exchangers

- Hydraulic oil cooling
- Quench oil cooling
- Cooling of motor oil in engine test beds.

Material Select form				
Chloride Content	Max Temperature			
	80 °C	80 °C	100 °C	120 °C
10 ppm	304	304	304	316
25 ppm	304	304	316	316
50 ppm	316	316	316	Ti
80 ppm	316	316	316	Ti
150 ppm	316	Ti	Ti	Ti
300 ppm	Ti	Ti	Ti	Ti
> 300 ppm	Ti	Ti	Ti	Ti
Gasket Material	NBR			
	EPDM			

Water/Glycol

When there is a risk of freezing, add glycol to the water.

Glycol has a different heat capacity from water and therefore needs a somewhat larger heat transfer area to perform the same duty. On the other hand, the physical properties of the various glycols are much the same.

Examples of glycols are:

- Ethylene glycol (mono, di or tri)
- Propylene glycol.

Some typical uses of plate heat exchangers

- As an intercooler in a heat pump
- Chilled water production in food factories
- Cooling of air conditioning circuits
- Solar heating systems

Material Select form				
Chloride Content	Max Temperature			
	80 °C	80 °C	100 °C	120 °C
10 ppm	304	304	304	316
25 ppm	304	304	316	316
50 ppm	316	316	316	Ti
80 ppm	316	316	316	Ti
150 ppm	316	Ti	Ti	Ti
300 ppm	Ti	Ti	Ti	Ti
> 300 ppm	Ti	Ti	Ti	Ti
Gasket Material	NBR			
	EPDM			



GPHE for Heating

Radiator Heating GPHE Quick Selection

Temp. in -out/out-in	160 -80/90-70	135 -70/70-55	35 -80/95-70	135 -80/95-70	135 -80/90-70	135 -80/90-70	130 -80/95-70
Max P.D prim/sec	50/20 kPa	20/20 kPa	10/20 kPa	20/30 kPa	10/20 kPa	20/30 kPa	10/20 kPa
Capacity, kW	Model	Model	Model	Model	Model	Model	Model
50	BB30B-18D	BB30B-14H	BB30B-18D	BB30B-18D	BB30B-18D	BB30B-14D	BB30B-20D
100	BB30B-34D	BB30B-30H	BB30B-30D	BB30B-30D	BB30B-34D	BB30B-24D	BB30B-34D
150	BH60H-12H	BH60H-12X	BB30B-42D	BB30B-42D	BB30B-54D	BB30B-42D	BB30B-48D
200	BH60H-16H	BH60H-16X	BB30B-58H	BB30B-56D	BH60H-16H	BB30B-60D	BB30B-62D
300	BH60H-24H	BH60H-22X	BH60H-24H	BH60H-24H	BH60H-24H	BH60H-20H	BH60H-28H
400	BH60H-34H	BH60H-32X	BH60H-32H	BH60H-32H	BH60H-34H	BH60H-28H	BH60H-34H
500	BH60H-44H	BH100H-22H	BH60H-38H	BH60H-38H	BH60H-44H	BH60H-34H	BH60H-42H
750	BH100H-40H	BH100H-34H	BH100H-34D	BH60H-54H	BH100H-42D	BH100H-34D	BH100H-36D
1,000	BH100H-52H	BH100H-46H	BH100H-46D	BH100H-42D	BH100H-58D	BH100H-46D	BH100H-48D

Temp. in -out/out-in	130 -80/95-70	130 -80/9-70	30 -80/90-70	135 -75/95-70	135 -75/90-70	130 -70/85-65	10 -70/90-65
Max P.D prim/sec	20/30 kPa	10/20 kPa	20/30 kPa	50/20 kPa	50/20 kPa	50/20 kPa	30/30 kPa
Capacity, kW	Model	Model	Model	Model	Model	Model	Model
50	BB30B-20D	BB30B-18D	BB30B-16D	BB30B-32D	BB30B-24D	BB30B-26D	BB30B-28D
100	BB30B-34D	BB30B-34D	BB30B-28D	BB30B-60D	BB30B-44D	BB30B-46D	BB30B-52D
150	BB30B-48D	BB30B-54D	BB30B-42D	BH60H-18D	BB30B-64D	BB30B-66D	BH60H-24H
200	BB30B-62D	BH60H-16H	BB30B-60D	BH60H-22D	BH60H-26H	BH60H-28H	BH60H-30H
300	BH60H-28H	BH60H-24H	BH60H-20H	BH60H-34D	BH60H-38H	BH60H-40H	BH60H-42H
400	BH60H-34H	BH60H-34H	BH60H-26H	BH60H-46D	BH60H-48H	BH60H-50H	BH100B-26D
500	BH60H-42H	BH60H-44H	BH60H-34H	BH60H-58D	BH100H-34D	BH100H-36D	BH100B-32D
750	BH100H-36D	BH100H-42D	BH100H-34D	BH100H-68D	BH100H-50D	BH100H-52D	BH100B-50D
1,000	BH100H-48D	BH100H-58D	BH100H-46D	BH100H-88D	BH100H-64D	BH100H-68D	BH100B-66D

Temp. in -out/out-in	110 -60/80-55	110 -60/70-50	105 -70/85-65	95 -45/75-40	75 -40/70-35	65 -40/60-35	60 -50/45-35
Max P.D prim/sec	30/30 kPa	30/30 kPa	50/30 kPa	20/20 kPa	10/20 kPa	10/30 kPa	20/20 kPa
Capacity, kW	Model	Model	Model	Model	Model	Model	Model
50	BB30B-48D	BB30B-18D	BB30B-52D	BH60B-12D	BH60B-46D	BH60B-30D	BB30B-24D
100	BB30B-90D	BB30B-30D	BH60H-16D	BH60B-20D	BH60B-84D	BH60B-54D	BH60H-14X
150	BH60H-20H	BB30B-44D	BH60H-22D	BH60B-28D	BH60B-124D	BH60B-80D	BH60H-18X
200	BH60H-26H	BB30B-62D	BH60H-28D	BH60B-34D	BH60B-162D	BH60B-104D	BH60H-24X
300	BH60H-36H	BH60H-24H	BH60H-40D	BH60B-50D	BH100B-294D	BH60B-152D	BH100H-22H
400	BH60H-46D	BH60H-32D	BH60H-50D	BH60B-64D	BH100B-390D	BH100B-208D	BH100H-28H
500	BH60H-56D	BH60H-38D	BH100B-64D	BH60B-78D	-	BH100B-258D	BH100H-36H
750	BH60H-62D	BH100H-36D	BH100B-86D	BH60B-114D	-	BH100B-382D	BH100H-54H
1,000	BH100B-68D	BH100H-48D	BH100B-134D	BH100B-132D	-	-	-

Tap Water Heating GPHE Quick selection

Temp. in -out/out-in	90 -70/60-10	90 -70/55-10	90 -70/55-10	90 -70/50-10	90 -60/60-30	80 -60/55-10	80 -50/60-10
Max P.D prim/sec	20/20 kPa	20/30 kPa	30/30 kPa	30/30 kPa	30/30 kPa	30/30 kPa	20/20 kPa
Capacity, kW	Model	Model	Model	Model	Model	Model	Model
50	BB30B-14H	BB30B-14H	BB30B-12H	BB30B-12H	BB30B-12D	BB30B-14H	BB30B-14H
100	BB30B-24H	BB30B-24H	BB30B-20H	BB30B-20H	BB30B-20D	BB30B-24H	BB30B-24H
150	BB30B-36H	BB30B-36H	BB30B-28H	BB30B-28H	BB30B-30D	BB30B-32H	BB30B-36H
200	BH60H-14X	BH60H-14X	BB30B-40H	BB30B-40H	BB30B-40D	BB30B-42H	BB30B-50H
300	BH60H-18X	BH60H-18X	BH60H-16X	BH60H-16X	BB30B-62D	BH60H-20X	BH60H-20H
400	BH60H-24X	BH60H-24X	BH60H-20X	BH60H-20X	BH60H-20H	BH60H-23X	BH60H-26H
500	BH60H-30X	BH60H-30X	BH60H-24X	BH60H-24X	BH60H-24H	BH60H-30X	BH60H-30H
750	BH100H-26H	BH100H-22X	BH100H-22H	BH100H-18X	BH60H-36H	BH100H-24H	BH60H-46H
1,000	BH100H-36H	BH100H-28X	BH100H-30H	BH100H-24X	BH60H-50H	BH100H-30H	BH100H-40D

Temp. in -out/out-in	70 -50/60-10	70 -50/55-10	70 -40/55-5	70 -35/60-10	70 -35/55-10	70 -35/55-5	70 -35/55-5
Max P.D prim/sec	20/20 kPa	20/30 kPa	30/30 kPa	20/20 kPa	30/30 kPa	20/20 kPa	30/30 kPa
Capacity, kW	Model	Model	Model	Model	Model	Model	Model
50	BB30B-22D	BB30B-20D	BB30B-22D	BB30B-34D	BB30B-34D	BB30B-30D	BB30B-30D
100	BB30B-38D	BB30B-36D	BB30B-40D	BB30B-62D	BB30B-62D	BB30B-54D	BB30B-54D
150	BB30B-56D	BB30B-56D	BB30B-56D	BB30B-90D	BB30B-90D	BB30B-78D	BB30B-74D
200	BH60H-22H	BH60H-18H	BB30B-76D	BH60H-18D	BH60H-18D	BH60H-18D	BH60H-18D
300	BH60H-30H	BH60H-26H	BH60B-22H	BH60H-26D	BH60H-26D	BH60H-26D	BH60H-22D
400	BH60H-40H	BH60H-36H	BH60B-28H	BH60H-34D	BH60H-32D	BH60H-34D	BH60H-28D
500	BH60H-48H	BH60H-46H	BH60B-36H	BH60H-42D	BH60H-40D	BH60H-42D	BH60H-36D
750	BH100H-44D	BH100H-44D	BH60B-54H	BH60H-66D	BH60H-56D	BH60H-66D	BH60H-52D
1,000	BH100H-60D	BH100H-60D	BH60B-76H	BH60H-92D	BH60H-74D	BH60H-92D	BH60H-72D

Temp. in -out/out-in	70 -30/60-5	70 -25/60-10	65 -20/55-10	60 -30/55-25	60 -25/55-5	60 -25/55-5	6 -20/55-10
Max P.D prim/sec	50/50 kPa	20/20 kPa	20/25 kPa	30/30 kPa	20/20 kPa	30/30 kPa	20/25 kPa
Capacity, kW	Model	Model	Model	Model	Model	Model	Model
50	BH60B-10D	BH60B-14D	BH60B-18D	BH60B-42D	BH60B-14D	BH60B-14D	BH60B-32D
100	BH60B-14D	BH60B-20D	BH60B-32D	BH60B-78D	BH60B-24D	BH60B-24D	BH60B-58D
150	BH60B-16D	BH60B-28D	BH60B-44D	BH60B-114D	BH60B-34D	BH60B-34D	BH60B-84D
200	BH60B-20D	BH60B-36D	BH60B-56D	BH60B-150D	BH60B-42D	BH60B-42D	BH60B-110D
300	BH60B-28D	BH60B-52D	BH60B-82D	BH100B-268D	BH60B-60D	BH60B-60D	BH60B-164D
400	BH60B-36D	BH60B-66D	BH60B-108D	BH100B-354D	BH60B-78D	BH60B-78D	BH100B-256D
500	BH60B-44D	BH60B-82D	BH60B-132D	BH100B-440D	BH60B-96D	BH60B-96D	BH100B-320D
750	BH60B-64D	BH60B-120D	BH60B-196D	-	BH100B-136D	BH100B-136D	-
1,000	BH60B-82D	BH100B-148D	BH100B-274D	-	BH100B-178D	BH100B-178D	-



Contact details:

PT. Metalindo Prima Engineering

Office :
Jl. K.H. Zainal Mustafa No. 17 - Jakarta Timur (13350)
Phone : 62 21 856 1234 - Fax : 62 21 851 3109
Web : www.metalindoengineering.com
Email : info@metalindoengineering.com

